

XE-N SERIES

ELECTRIC SELF-PROPELLED SCISSOR LIFT

Standard Features

- XE-N series working height is 6.5m (about 21 feet) and 8m (about 26 feet).
- The platform can outreach 0.9m (about 3 feet), and the machine can be 2.52m (about 8.26 feet)
- Compact design, can be easily passed single standard door and enter the lift, and so on.
- The min. lift capacity is 230kg (about 506 pound), the max. lift capacity is 270kg (594 pound).
- Proportional controls for lift and drive functions.
- Automatic 25 Amp battery charger provides strong power for vehicle.
- Safe distance protection when the platform lowering down. (CE)
- Manual Emergency platform lowering valve, when there is no power, the machine can be safety lower down.
- Emergency stop at both platform and ground controls.
- Drive speed interlock limits speed while elevated.
- Multiple disc brakes provide smooth deceleration.
- When there is no power, manual brake release function can move the machines under the circumstances when there is no other forklift, lifting equipment and so on.
- Pothole guards protect the machine don't tilting down when the machine moved on the raised position.
- Non-marking tires make sure there is no damage and no marks on the ground.
- It has the 30% gradeability, and at the same time each machine equipped tilt sensor alarm to make sure the user can use the machine correctly.
- Diagnostic system.

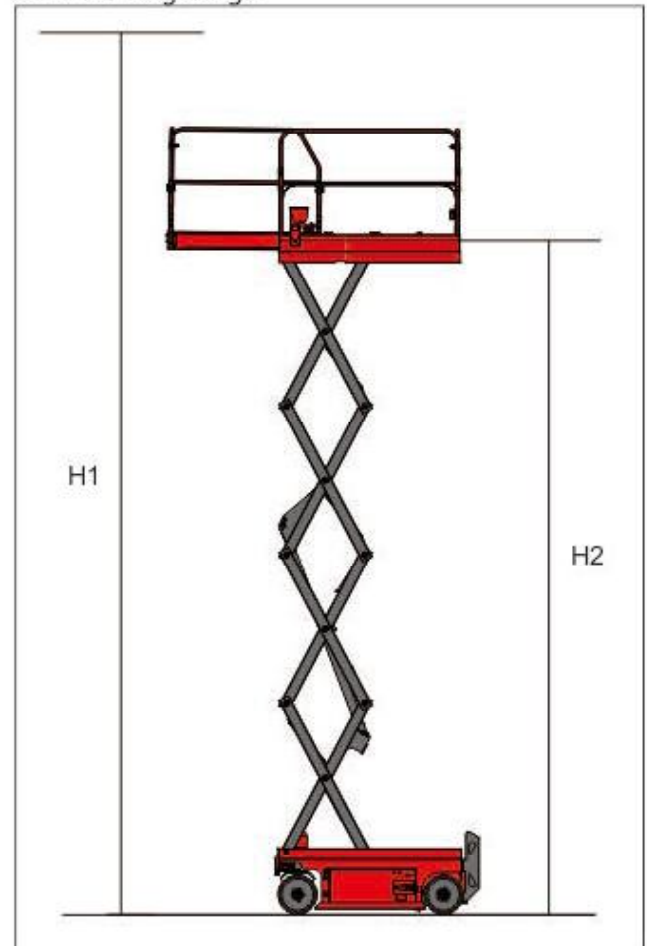
Options Features

- Motion alarm
- Platform swing gate
- Air line to platform
- Dual flashing beacon
- Maintenance-free battery
- Horn
- Platform work lights
- Foldable platform
- Key-type lock sliding door
- Anti-collision system
- Top limit protection auto-stop device

XE-N SERIES

| Models | XE65N | XE80N |
|-------------------------------------------------------|---------------------------------|--------------------|
| Working height max (m) H1 | 6.5 | 7.8 |
| Platform height max (m) H2 | 4.5 | 5.8 |
| Outreach (m) (2) | 0.9 | 0.9 |
| Lifting capacity (kg) | 270 | 230 |
| Lifting capacity (kg) (Extended platform) | 115 | 115 |
| Weight (kg) ANSI/CSA Standard | 1164 | 1285 |
| CE/AUS Standard | 1235 | 1540 |
| Platform size(3) x (5) x (6)(L x W x H)m | 1.64 x 0.75 x 1.1 | |
| The length of platform extended (m) (4) | 2.54 | |
| Skirting board height (m) (7) | 0.15 | |
| Stowed size(L x W) (8) x (9)m | 1.85 x 0.77 | |
| Stowed height (m) (10) | 2.04fixed platform | 2.13fixed platform |
| Length of the machine with platform extended (m) (13) | 2.75 | |
| Height of the machine with platform folded (m) (11) | 1.69 | 1.78 |
| Hydraulic tank capacity (L) | 15 | |
| Gradeability | 30% | 30% |
| Wheelbase (m) (12) | 1.32 | |
| Ground clearance (m) | 0.06 | |
| Pothole protection board ground clearance (m) (down) | 0.02 | |
| Inside rotation radius (m) | 0 | |
| Outside turning radius (m) | 1.56 | |
| Load number max | 2 | |
| Raised time/Lowering time (s) | 11/8.5 | 14/11 |
| Traction speed (km/h) | 3.8 | |
| Safe speed (km/h) | 0.7 | |
| Vertical tilt* ANSI CSA | 3 | 3 |
| CE/AUS | 2 | 2 |
| Lateral tilt* ANSI CSA | 2 | 2 |
| CE/AUS | 1.5 | 1.5 |
| Power source | 4 x 6V; 225Ah | |
| Tire size (mm) | 356 x 114 x 254 | |
| Drive model | Hydraulic drive /electric drive | |
| Drive Mode | HD/ED | |

XE-N Working Range



*The metric system height is 2 meters higher than platform height, the imperial height is 6 feet than platform height

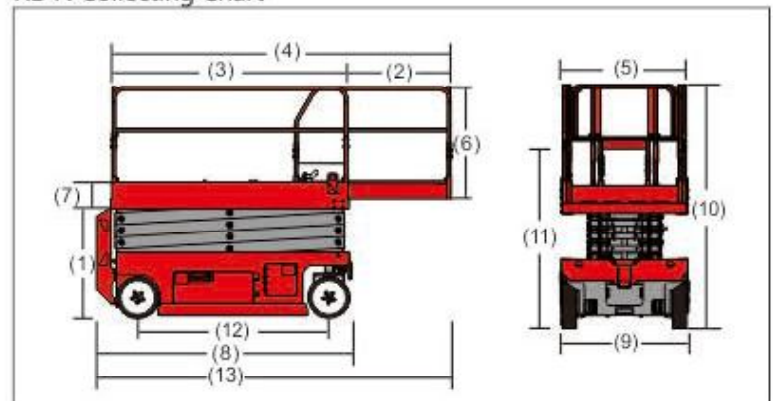
**In the rising mode, the machine is designed to operate on a solid flat surface.

***Climbing ability is suitable for driving on the slope, the slope classification reference operation manual

****Weight according to the options and standards vary from country to country

Mantall provides user with both hydraulic drive (HD) and electrical drive (ED) walking modes, in order to meet the demands of different customers.

XE-N Collecting Chart



XE-C SERIES

ELECTRIC SELF-PROPELLED SCISSOR LIFT

Standard Features

- XE-C series working height is from 8m (about 26 feet) and 10m (about 32 feet).
- The platform can outreach 1m (XE-C series).
- Compact design, XE-C series can be easily passed single standard door, the length about platform can be the same with XE-W series. The length can be 3.2m after the extended.
- The min. lift capacity is 230kg, max. lift capacity is 350kg
- Proportional controls for lift and drive functions.
- Automatic 25 Amp battery charger provides strong power for vehicle.
- Safe distance protection when the platform lowering down.(CE)
- Manual Emergency platform lowering valve, when there is no power, the machine can be safety lower down.
- Emergency stop at both platform and ground controls.
- Drive speed interlock limits speed while elevated.
- Multiple disc brakes provide smooth deceleration.
- When there is no power, manual brake release function can move the machines under the circumstances when there is no other forklift, lifting equipment and so on...
- Pothole guards protect the machine don't tilting down when the machine moved on the raised position.
- Non-marking tires make sure there is no damage and no marks on the ground.
- AC wiring to platform
- Tilt level sensor with an audible alarm
- Beeper horn
- Hour meter
- Safety brackets
- Battery charge indicator
- Forklift pockets
- Diagnosis system
- Extended platform

Options Features

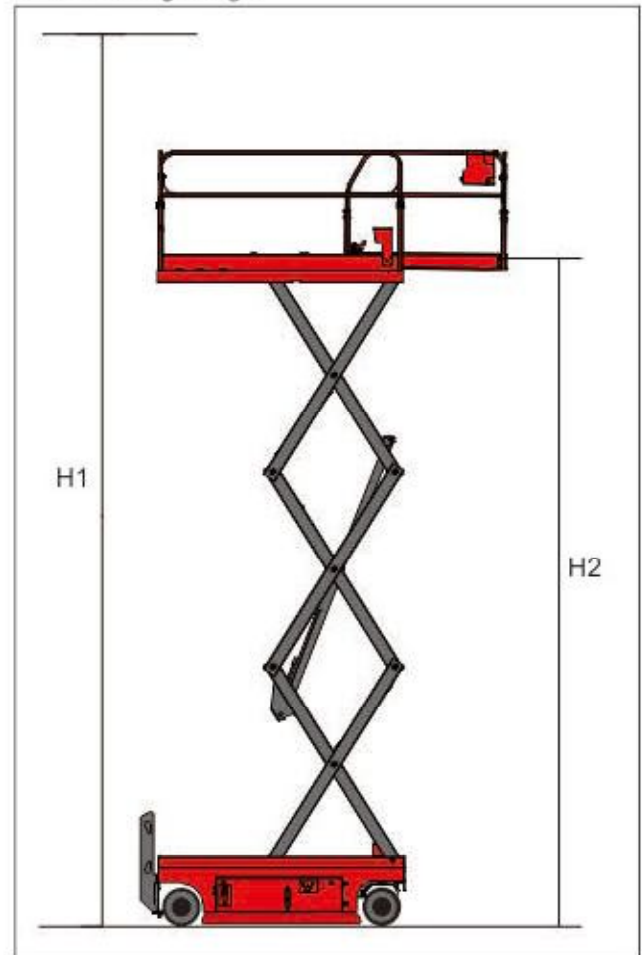
- Motion alarm
- Platform swing gate
- Air line to platform
- Dual flashing beacon
- Maintenance-free battery
- Horn
- Platform work lights
- Foldable platform
- Key-type lock sliding door
- Anti-collision system
- Top limit protection auto-stop device



XE-C SERIES

| Models | XE80C | XE100C |
|-------------------------------------------------------|---------------------------------|--------|
| Working height max (m) H1 | 8 | 10 |
| Platform height max (m) H2 | 6 | 8 |
| Outreach (m) (2) | 1 | 1 |
| Lifting capacity (kg) | 350 | 230 |
| Lifting capacity (kg) (Extended platform) | 120 | 120 |
| Weight (kg) ANSI/CSA Standard | 1690 | 1855 |
| CE/AUS Standard | 1905 | 2000 |
| Platform size(3) × (5) × (6)(L × W × H)m | 2.25 × 0.8 × 1.1 | |
| The length of platform extended (m) (4) | 3.2 | |
| Skirting board height (m) (7) | 0.15 | |
| Stowed size(8) × (9)(L × W)m | 2.42 × 0.8 | |
| Stowed height (m) (10) | 2.2 | 2.3 |
| Length of the machine with platform extended (m) (13) | 3.4 | |
| Height of the machine with platform folded (m) (11) | 1.73 | 1.86 |
| Hydraulic tank capacity (L) | 15 | |
| Gradeability | 30% | 25% |
| Wheelbase (m) (12) | 1.85 | |
| Ground clearance (m) | 0.1 | |
| Pothole protection board ground clearance (m) (down) | 0.019 | |
| Inside rotation radius (m) | 0 | |
| Outside turning radius (m) | 2.12 | |
| Load number max | 2 | |
| Raised time/Lowering time (s) | 27/29 | 35/17 |
| Traction speed (km/h) | 3.4 | |
| Safe speed (km/h) | 0.7 | |
| Vertical tilt* ANSI CSA | 3 | 3 |
| CE/AUS | 2 | 2 |
| Lateral tilt* ANSI CSA | 2 | 2 |
| CE/AUS | 1.5 | 1.5 |
| Power source | 4 × 6V; 225Ah | |
| Tire size (mm) | 356 × 114 × 254 | |
| Drive model | Hydraulic drive /electric drive | |
| Drive Mode | HD/ED | |

XE-C Working Range



*The metric system height is 2 meters higher than platform height, the imperial height is 6 feet than platform height

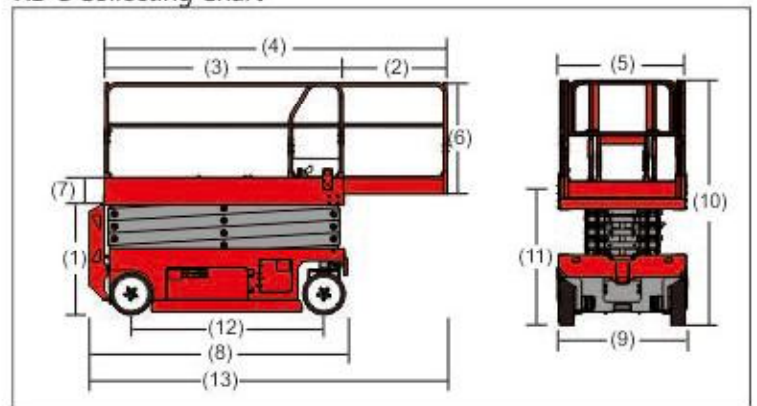
**In the rising mode, the machine is designed to operate on a solid flat surface.

***Climbing ability is suitable for driving on the slope, the slope classification reference operation manual

****Weight according to the options and standards vary from country to country

Mantall provides user with both hydraulic drive (HD) and electrical drive (ED) walking modes, in order to meet the demands of different customers.

XE-C Collecting Chart



XE-W SERIES

ELECTRIC SELF-PROPELLED SCISSOR LIFT

Standard Features

- XE-W series working height is from 8m (about 26 feet) and 14m (about 46 feet).
- The platform can outreach 1m.
- XE-W series can be easily passed double standard door, large lift capacity, min. lift capacity is 350kg, max. lift capacity is 550kg.
- Proportional controls for lift and drive functions.
- Automatic 25 Amp battery charger provides strong power for vehicle.
- Safe distance protection when the platform lowering down.(CE)
- Manual Emergency platform lowering valve, when there is no power, the machine can be safely lower down.
- Emergency stop at both platform and ground controls.
- Drive speed interlock limits speed while elevated.
- Multiple disc brakes provide smooth deceleration.
- When there is no power, manual brake release function can move the machines under the circumstances when there is no other forklift, lifting equipment and so on...
- Pothole guards protect the machine don't tilting down when the machine moved on the raised position.
- Non-marking tires make sure there is no damage and no marks on the ground.
- AC wiring to platform
- Tilt level sensor with an audible alarm
- Beeper horn
- Hour meter
- Safety brackets
- Battery charge indicator
- Forklift pockets
- Diagnosis system
- Extended platform

Options Features

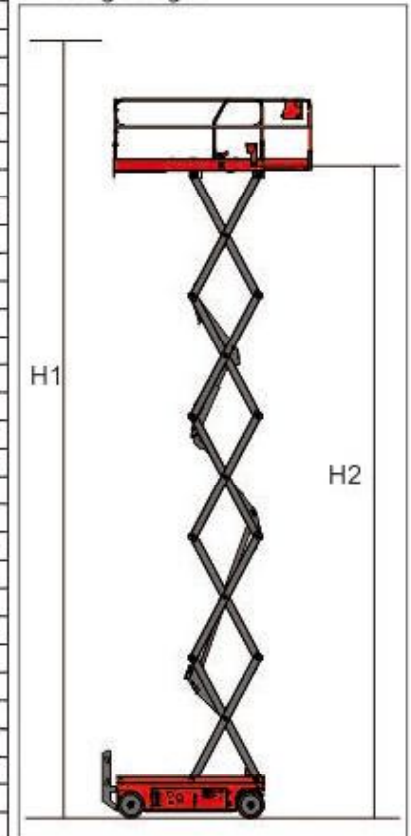
- Motion alarm
- Platform swing gate
- Air line to platform
- Dual flashing beacon
- Maintenance-free battery
- Horn
- Platform work lights
- Foldable platform
- Key-type lock sliding door
- Anti-collision system
- Top limit protection auto-stop device



XE-W SERIES

| Models | XE80W | XE100W | XE120W | XE140W | XE160W |
|-------------------------------------------------------|-----------------------------------|--------|--------|---------------|--------|
| Working height max (m) H1 | 8 | 10 | 12 | 14 | 16 |
| Platform height max (m) H2 | 6 | 8 | 10 | 12 | 14 |
| Outreach (m) (2) | 1 | 1 | 1 | 1 | 1 |
| Lifting capacity (kg) | 550 | 450 | 320 | 350 | 230 |
| Lifting capacity (kg) (Extended platform) | 120 | 120 | 120 | 120 | 100 |
| Weight (kg)ANSI/CSA Standard | 2010 | 2125 | 2490 | 2690 | 3280 |
| CE/AUS Standard | 2100 | 2520 | 2950 | 3045 | 3400 |
| Platform size(3) × (5) × (6)(L × W × H)m | 2.3 × 1.15 × 1.1 | | | | |
| The length of platform extended (m) (4) | 3.3 | 3.3 | 3.3 | 3.3 | 3.3 |
| Skirting board height (m) (7) | 0.172 | 0.172 | 0.172 | 0.172 | 0.176 |
| Stowed size(8) × (9)(L × W)m | 2.42 × 1.2 | | | | |
| Stowed height (m) (10) | 2.12 | 2.25 | 2.38 | 2.50 | 2.64 |
| Length of the machine with platform extended (m) (13) | 3.5 | 3.5 | 3.5 | 3.5 | 3.5 |
| Height of the machine with platform folded (m) (11) | 1.56 | 1.69 | 1.82 | 1.95 | 2.08 |
| Hydraulic tank capacity (L) | 15 | 15 | 25 | 25 | 25 |
| Gradeability | 30% | 30% | 25% | 25% | 25% |
| Wheelbase (m) (12) | 1.85 | | | | |
| Ground clearance (m) | 0.1 | | | | |
| Pothole protection board ground clearance (m) (down) | 0.019 | | | | |
| Inside rotation radius (m) | 0 | | | | |
| Outside turning radius (m) | 2.3 | | | | |
| Load number max | 2 | | | | |
| Raised time/Lowering time (s) | 32/30 | 45/30 | 55/37 | 61/42 | 80/46 |
| Traction speed (km/h) | 3.4 | | | | |
| Safe speed (km/h) | 0.7 | | | | |
| Vertical tilt° | ANSI CSA 3 | | | | 1.5 |
| | CE/AUS 2 | | | | --- |
| Lateral tilt° | ANSI CSA 2 | | | | 1 |
| | CE/AUS 1.5 | | | | --- |
| Power source | 4 × 6V; 225Ah | | | 4 × 6V; 225Ah | |
| Tire size (mm) | 406 × 127 × 316 | | | | |
| Drive model | Hydraulic drive or electric drive | | | | |
| Drive Mode | HD/ED | | | | |

Working Range



*The metric system height is 2 meters higher than platform height, the imperial height is 6 feet than platform height

**In the rising mode, the machine is designed to operate on a solid flat surface.

***Climbing ability is suitable for driving on the slope, the slope classification reference operation manual

****Weight according to the options and standards vary from country to country

Mantall provides user with both hydraulic drive (HD) and electrical drive (ED) walking modes, in order to meet the demands of different customers.

Collecting Chart

